

# Intel<sup>®</sup> RealSense<sup>™</sup> Tracking Camera

Datasheet

---

*Intel<sup>®</sup> RealSense<sup>™</sup> Tracking Camera T265*

*January 2019*

*Revision 001*

You may not use or facilitate the use of this document in connection with any infringement or other legal analysis concerning Intel products described herein. You agree to grant Intel a non-exclusive, royalty-free license to any patent claim thereafter drafted which includes subject matter disclosed herein.

No license (express or implied, by estoppel or otherwise) to any intellectual property rights is granted by this document.

Intel technologies' features and benefits depend on system configuration and may require enabled hardware, software or service activation. Learn more at [Intel.com](http://Intel.com), or from the OEM or retailer.

No computer system can be absolutely secure. Intel does not assume any liability for lost or stolen data or systems or any damages resulting from such losses.

The products described may contain design defects or errors known as errata which may cause the product to deviate from published specifications. Current characterized errata are available on request.

Intel disclaims all express and implied warranties, including without limitation, the implied warranties of merchantability, fitness for a particular purpose, and non-infringement, as well as any warranty arising from course of performance, course of dealing, or usage in trade.

Intel technologies' features and benefits depend on system configuration and may require enabled hardware, software or service activation. Learn more at [intel.com](http://intel.com), or from the OEM or retailer.

All information provided here is subject to change without notice. Contact your Intel representative to obtain the latest Intel product specifications and roadmaps.

Copies of documents which have an order number and are referenced in this document may be obtained by calling 1-800-548-4725 or visit [www.intel.com/design/literature.htm](http://www.intel.com/design/literature.htm).

By using this document, in addition to any agreements you have with Intel, you accept the terms set forth below.

Contact your local Intel sales office or your distributor to obtain the latest specifications and before placing your product order.

Intel, RealSense and the Intel logo are trademarks of Intel Corporation in the U.S. and/or other countries.

\*Other names and brands may be claimed as the property of others.

Copyright © 2019, Intel Corporation. All rights reserved.

## Contents

---

1	Description and Features .....	6
2	Introduction.....	7
	2.1 Purpose and Scope of this Document.....	7
	2.2 Terminology .....	7
	2.3 Overview .....	7
	2.4 Tracking Camera Technology Overview.....	8
	2.5 T265 Tracking System.....	8
3	Intel® RealSense™ Tracking Camera T265 Component Specification ...	9
	3.1 T265 Device Components .....	9
	3.1.1 Inertial Measurement Unit.....	9
	3.1.2 Fisheye Imagers.....	10
	3.1.3 Form Factor Power Requirements .....	10
4	Intel® RealSense™ Tracking Camera T265 .....	11
	4.1 Intel® RealSense™ Tracking Camera T265 Device.....	11
	4.1.1 Intel® RealSense™ Tracking Camera T265 Mechanical Dimensions .....	11
	4.1.2 Intel® RealSense™ Tracking Camera T265 Thermals ....	11
	4.1.3 Intel® RealSense™ Tracking Camera T265 Storage and Operating Conditions.....	12
	4.1.4 Product Identifier and Material Code.....	12
	4.2 T265 Center of Tracking Location .....	12
	4.3 Coordinate System.....	13
	4.4 Boot Device Information.....	14
5	Regulatory Compliance .....	15
	5.1 Manufacturer’s Information.....	15
	5.2 NRTL Statement.....	15
	5.3 Ecology Compliance.....	16
	5.3.1 RoHS Declaration .....	16

## Figures

Figure 4-1. Intel® RealSense™ Tracking Camera T265.....11

Figure 4-2. Center of Tracking Location.....13

Figure 4-3. T265 Coordinate System .....13

Figure 5-1. NRTL Certification.....16

## Tables

Table 3-1. Form Factor Module .....9

Table 3-2. Form Factor Properties .....9

Table 3-3. Inertial Measurement Specifications .....10

Table 3-4. Fisheye Image Sensor Properties .....10

Table 3-5. Form Factor Power Requirements .....10

Table 4-1. Intel® RealSense™ Tracking Camera T265 Mechanical Dimensions.....11

Table 4-2. Max Skin Temperature.....11

Table 4-3. Storage and Operating Conditions.....12

Table 4-4. Product Identifier and Material Code .....12

Table 4-5: Boot Device Vendor and Product IDs.....14

## Revision History

---

Document Number	Revision Number	Description	Revision Date
572522	001	Initial Release	Jan 2019

§ §

# 1 Description and Features

---

<p><b><u>Description</u></b></p> <p>Intel® RealSense™ Tracking Camera T265 is a tracking capable peripheral device based on visual and inertial sensor fusion. The assembly contains fisheye cameras, IMU module and a processing ASIC (Intel® Movidius™ Myriad™ 2 MA215x) with USB 3.0 interface to host processor SoC.</p> <p><b><u>Features</u></b></p> <ul style="list-style-type: none"> <li>• Tracking feature using Fisheye Camera and Inertial Measurement Unit (IMU)</li> <li>• Intel® Movidius™ Myriad™ 2 ASIC solution</li> <li>• Middleware processed on Myriad 2 ASIC; Enabling higher CPU performance</li> <li>• 6DoF data streaming to host</li> <li>• Low latency</li> </ul>	<p><b><u>Usages/Markets</u></b></p> <ul style="list-style-type: none"> <li>• Robots</li> <li>• Drones</li> <li>• Augmented Reality and Virtual Reality</li> </ul> <p><b><u>Minimum System Requirements</u></b></p> <ul style="list-style-type: none"> <li>• Windows* 10/Linux*</li> <li>• USB 3.0 (without video streaming USB 2.0 is sufficient)</li> </ul> <p>Please check with your Intel representative for platform and OS combination supported and enablement timelines</p>
--	--

§ §

## 2 Introduction

---

### 2.1 Purpose and Scope of this Document

This document captures the specifications for the Intel® RealSense™ Tracking Camera T265.

### 2.2 Terminology

Term	Description
6DoF	6 Degrees of Freedom refers to the freedom of movement in three dimensional space. Movement such as forward/backward, up/down, left/right, pitch, roll and yaw.
Fisheye camera	Also referred as wide angle camera
FOV	Field Of View describes the angular extent of a given scene that is imaged by a camera. A camera's FOV can be measured horizontally, vertically, or diagonally
Lens	This refers to the optical component of an imager. Its purpose is to focus the incoming light rays onto the CMOS chip in the imager.
System On Chip (SoC)	Integrated circuit (IC) that integrates all components of a computer or referred in this document as host processor SOC
Imaging or Optical module	This refers to a stiffened module containing at least two imagers. The distance between the imagers, which is referred to as the baseline or intraocular spacing, is typically in the range of 20 mm to 70 mm.
IMU	Inertial Measurement Unit
B2B	Board to Board connector
IR Cut Filter	Filter designed to prevent infrared (IR) light reaching the imagers.
TBD	To Be Determined. In the context of this document, information will be available in a later revision.

### 2.3 Overview

Intel® RealSense™ Tracking Camera T265 is a computer vision solution that outputs 6DoF data to the host system for immersive experience, navigation and mapping.

## 2.4 Tracking Camera Technology Overview

Intel® RealSense™ Tracking Camera T265 uses inputs from dual fisheye cameras (OV9282) and an IMU (BMI055) along with processing capabilities from the Movidius MA215x ASIC in order to provide the host system 6DoF poses.

## 2.5 T265 Tracking System

The Intel® RealSense™ Tracking Camera T265 has one main board which includes all components on a single board. The camera is connected to the host platform via USB connector.

§ §



## 3 Intel® RealSense™ Tracking Camera T265 Component Specification

Components in the Intel® RealSense™ Tracking Camera T265 are listed in the table below.

### 3.1 T265 Device Components

The device components are described in Table 3-1. The form factor module includes two fisheye image sensors, an Inertial Measurement Unit (IMU) and VPU processing ASIC.

**Table 3-1. Form Factor Module**

Component	Description
BMI055 IMU	Accelerometer and Gyroscope in a single package
OV9282 Fisheye Camera	Monochrome image sensor with wide field of view
Movidius MA215x	VPU Processing ASIC
Stiffener	Reinforcement housing to keep imagers aligned
Label	Manufacture and product identifier information
Other Components	IR Cut Filter, Voltage Regulators, etc.

**Table 3-2. Form Factor Properties**

Imaging Module	Intel® RealSense™ Tracking Camera T265
Baseline	64mm +/- 0.15mm
Left/Right Fisheye Imagers	OV9282
Shutter Type	Global
Fisheye FOV (degrees)	D:163

H – Horizontal FOV, V – Vertical FOV, D – Diagonal FOV, X – Length, Y – Breadth, Z – Thickness

#### 3.1.1 Inertial Measurement Unit

The IMU is a system-in-package for the detection of acceleration in 3 dimensions and rotations in 3 dimensions.

**Table 3-3. Inertial Measurement Specifications**

Parameter	Properties
Degrees of Freedom	6
Acceleration Range	±4g
Accelerometer Sample Rate	200Hz
Gyroscope Range	±2000 Deg/s
Gyroscope Sample Rate	62.5Hz

### 3.1.2 Fisheye Imagers

The fisheye imagers are used in the process of producing 6DoF data streamed to the host platform. The imagers provide monochrome images at a high frame rate.

**Table 3-4. Fisheye Image Sensor Properties**

Parameter	Camera Sensor Properties
Active Pixels	848 X 800
Sensor Aspect Ratio	1.06
Format	8bit, 10-bit RAW
Filter Type	IR Cut Filter
Focus	Fixed
Shutter Type	Global Shutter
Signal Interface	MIPI CSI-2, 2 X Lanes

### 3.1.3 Form Factor Power Requirements

The form factor is powered through USB VBUS power.

**Table 3-5. Form Factor Power Requirements**

Parameter		Min	Nom	Max	Unit
VCC	Supply Voltage	4.5	5	5.25	V
ICC	Supply Current		300	300	mA

## 4 Intel® RealSense™ Tracking Camera T265

### 4.1 Intel® RealSense™ Tracking Camera T265 Device

Figure 4-1. Intel® RealSense™ Tracking Camera T265



#### 4.1.1 Intel® RealSense™ Tracking Camera T265 Mechanical Dimensions

Table 4-1. Intel® RealSense™ Tracking Camera T265 Mechanical Dimensions

Dimension	Min	Nominal	Max	Unit
Width	-	108.00	-	mm
Height	-	24.50	-	mm
Depth	-	12.50	-	mm
Weight	-	60	-	gr

#### 4.1.2 Intel® RealSense™ Tracking Camera T265 Thermals

Table 4-2. Max Skin Temperature

Tracking Camera	Max Skin Temperature (25°C Ambient in Open Environment)
T265	40°C

### 4.1.3 Intel® RealSense™ Tracking Camera T265 Storage and Operating Conditions

Table 4-3. Storage and Operating Conditions

Condition	Description	Min	Max	Unit
Storage (Still Air), Not Operating	Temperature (Sustained, Controlled) <sup>(1)</sup>	0	40	°C
	Temperature (Short Exposure) <sup>(2)</sup>	-30	65	°C
	Humidity, Non-Condensing	90% RH, 30°C		
Operating <sup>(3)</sup> (Still Air)	Temperature	0	35	°C

**NOTES:**

1. Controlled conditions should be used for long term storage of product.
2. Short exposure represents temporary max limits acceptable for transportation conditions.
3. Component case temperature limits must be met for all operating temperatures.

### 4.1.4 Product Identifier and Material Code

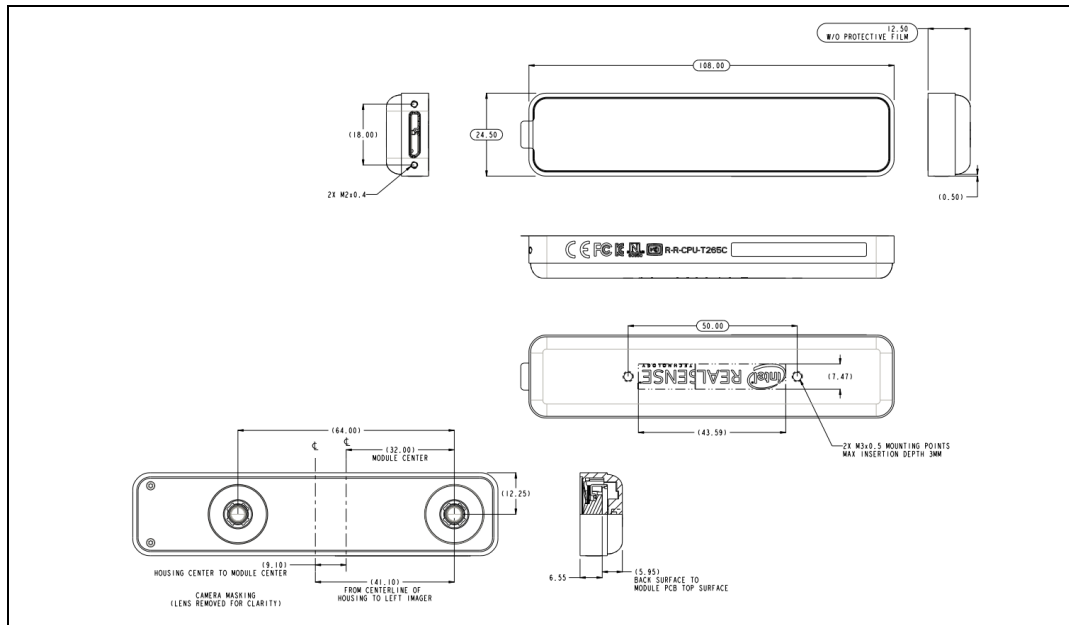
Table 4-4. Product Identifier and Material Code

Production	Product Identifier Code- Manufacture Configuration Code	Product Material Code
Tracking Camera T265		999AXJ

## 4.2 T265 Center of Tracking Location

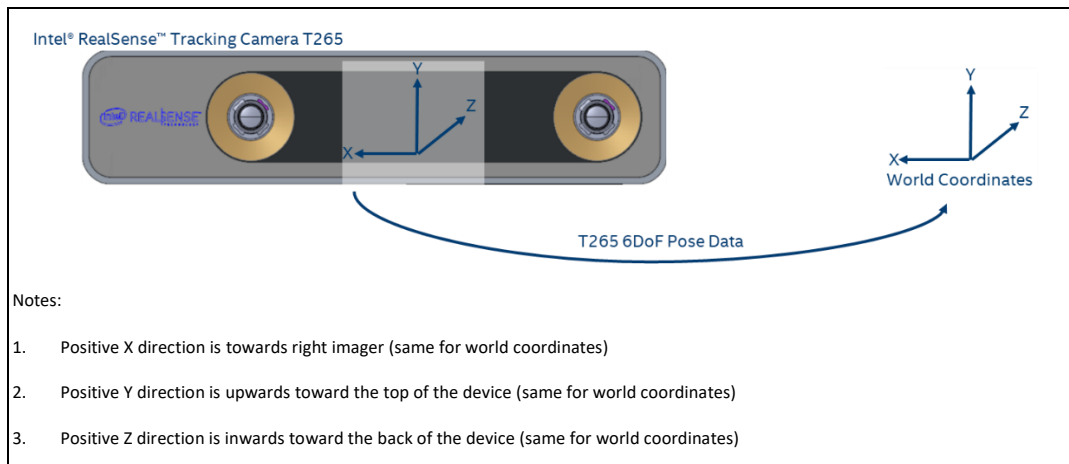
The user of the T265 device must take into consideration the location of tracking as it pertains to the PCB inside chassis and the relationship this location has with respect to the overall peripheral camera device. The center of tracking corresponds to the center location between the right and left imagers on the PCB. The information in the figure below shows the different mechanical distances of the chassis that houses the PCB. The center of tracking information also pertains to the coordinate system which will be discussed in future section in this document.

Figure 4-2. Center of Tracking Location



### 4.3 Coordinate System

Figure 4-3. T265 Coordinate System



## 4.4 Boot Device Information

Table 4-5: Boot Device Vendor and Product IDs

Description	VID	PID
Movidius Device	03e7	2150
Intel® RealSense™ Tracking Camera T265	8087	0af3

1. If T265 is being connected to host system via USB hub, keep in mind that T265 will enter into USB enumeration protocol as soon as 5V has been provided on VBUS pin. USB protocol is handled by the Movidius MA215x device.
2. <1% drift observed in repeated testing in multiple use cases and environments. AR/VR use cases were tested with the T265 mounted on the head in indoor living and office areas with typical indoor lighting including sunlight entering the room. Wheeled robot use cases tested with wheel odometer data integrated, in indoor office and home environments. Sufficient visibility of static tracked visual features is required, the device will not work in smoke, fog, or other conditions where the camera cannot observe visual reference points. Performance will vary across use cases and environments, the system will attempt to detect and report degraded performance but may fail to do so.

§ §

## 5 Regulatory Compliance

---



System integrators should refer to their respective regulatory and compliance owner to finalize regulatory requirements for a specific geography.



Do not power on the product if any external damage was observed.

Do not try to update camera firmware that is not officially released for specific camera module SKU and revision.

### 5.1 Manufacturer's Information

Manufactured by Intel Corporation  
Attn: Corp. Quality  
2200 Mission College Blvd., Santa Clara, CA 95054 USA

EU Single Place of Contact:  
Intel Corporation (UK) Ltd.  
Attn: Corp. Quality, Pipers Way,  
Swindon, Wiltshire SN3 1RJ, UK

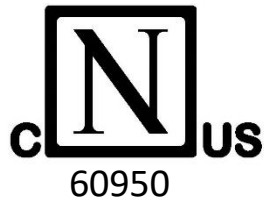
### 5.2 NRTL Statement

For the US and Canada market, this product has been tested and certified by UL and Nemko, and found to be compliant with all applicable requirements of the specifications below.

UL 60950-1 2<sup>nd</sup> Edition, CAN/CSA C22.2 No. 60950-1-07, Information Technology Equipment – Safety – Part 1: General Requirements

Both UL and Nemko are Nationally Recognized Testing Laboratories (NRTLs), recognized by US Occupational Safety and Health Administration (OSHA) as qualified to perform safety testing and certifications covered within its scope of recognition.

Figure 5-1. NRTL Certification



<https://www.nemko.com/certification/product-certification/certificates>

### 5.3 Ecology Compliance

#### 5.3.1 RoHS Declaration

## China RoHS Declaration

产品中有毒有害物质的名称及含量  
Hazardous Substances Table

部件名称 Component Name	有毒有害物质或元素 Hazardous Substance					
	铅 Pb	汞 Hg	镉 Cd	六价铬 Cr (VI)	多溴联苯 PBB	多溴二苯醚 PBDE
相机 Camera	X	○	○	○	○	○
印刷电路板组件 Printed Board Assemblies	X	○	○	○	○	○
电缆 Cable	○	○	○	○	○	○



<p>○：表示该有毒有害物质在该部件所有均质材料中的含量均在 GB/T 26572 标准规定的限量要求以下。                  ○：Indicates that this hazardous substance contained in all homogeneous materials of such component is within the limits specified in GB/T 26572.                  ×：表示该有毒有害物质至少在该部件的某一均质材料中的含量超出 GB/T 26572 标准规定的限量要求。                  ×：Indicates that the content of such hazardous substance in at least a homogeneous material of such component exceeds the limits specified in GB/T 26572.</p> <p>对销售之日的所售产品，本表显示我公司供应链的电子信息产品可能包含这些物质。注意：在所售产品中可能会也可能不会含有所有所列的部件。                  This table shows where these substances may be found in the supply chain of our electronic information products, as of the date of sale of the enclosed product. Note that some of the component types listed above may or may not be a part of the enclosed product.</p>
<p>除非另外特别的标注，此标志为针对所涉及产品的环保使用期限标志。某些可更换的零部件可能会有一个不同的环保使用期限（例如 电池单元模块）。</p> <p>用于产品在产品手册中所规定的条件下工作。</p> <div data-bbox="267 745 527 976" data-label="Image"> </div> <p>The Environment-Friendly Use Period (EFUP) for all enclosed products and their parts are per the symbol shown here, unless otherwise marked. Certain field-replaceable parts may have a different EFUP (for example, battery modules) number. The Environment-Friendly Use Period is valid only when the product is operated under the conditions defined in the product manual.</p>



In the European Union, this symbol indicates that this product including battery must not be disposed of with household waste. It is your responsibility to hand it over to a designated collection point for the recycling of waste electrical and electronic equipment. For more information, please contact your local waste collection center or the point of purchase of this product.